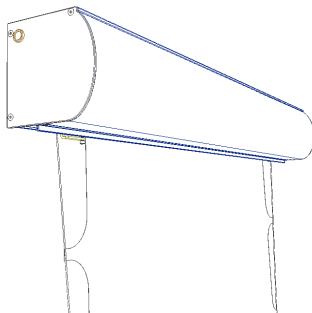


Loke



Thank you for choosing a Euroscreen® to be part of your AV installation. We hope it will bring you many hours of entertainment and/or education depending on your preference. Please read through the manual completely before installation and usage.

Tack för att ni valt en Euroscreen® som en del i er AV-installation. Vi hoppas den kan ge er många timmar av underhållning och/eller utbildning, beroende på aktivitet. Läs igenom hela manualen innan installation och användning.

CAUTION: The installation must be wired and connected by a certified electrician!



This screen is intended to be installed indoors, in a dry environment.

VARNING: Installationen måste kopplas av behörig elektriker!

Denna produkt är avsedd att installeras inomhus i en torr miljö.

Electrical specifications / Elektriska specifikationer

Input / Matarspänning:	230V (AC); 50/60Hz
Power / Effekt:	205W
IP2x depending on way of installation.	

Overview / Översikt

Case / Kasset

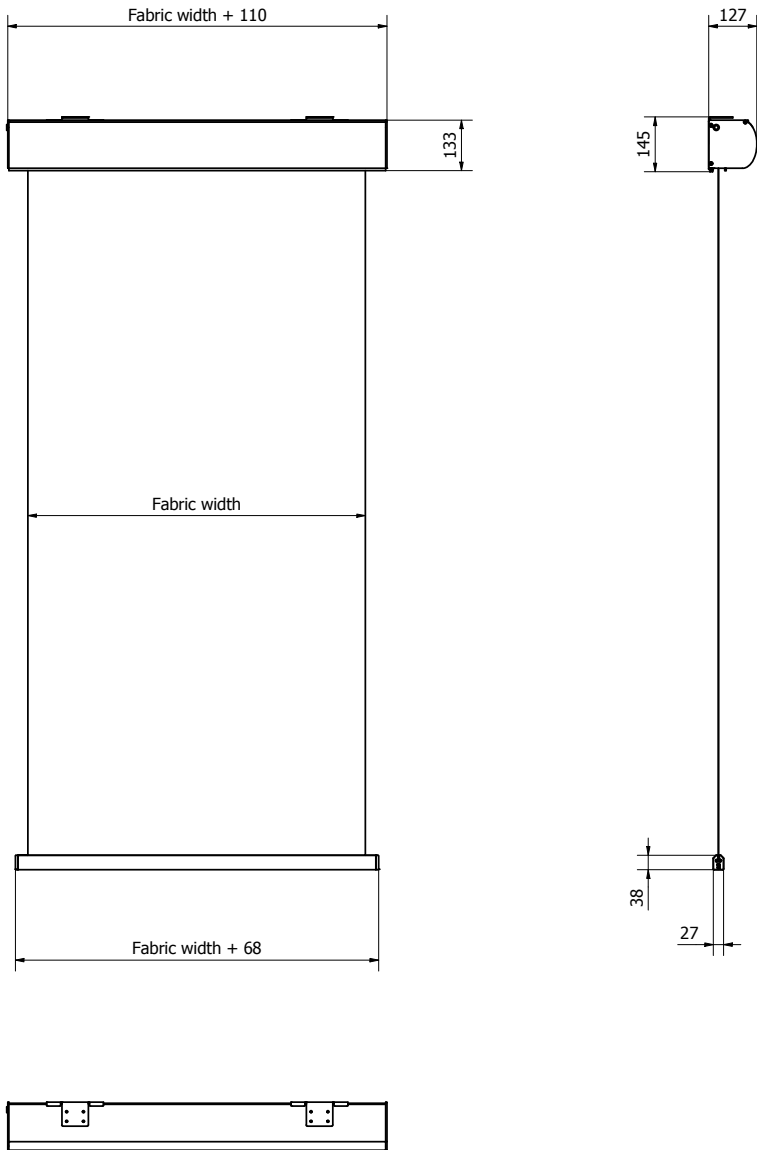


fig 1

Overview / Översikt

Ceiling bracket / Takkonsol

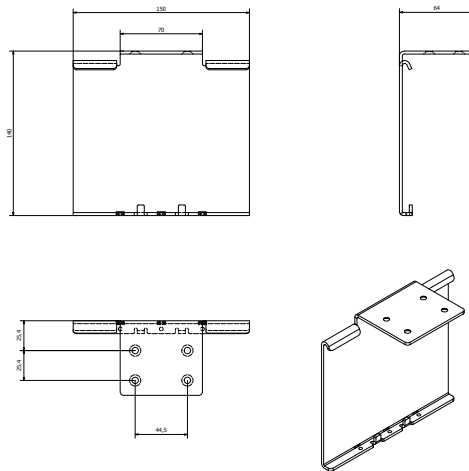


fig 2

Wall bracket / Väggekonsol

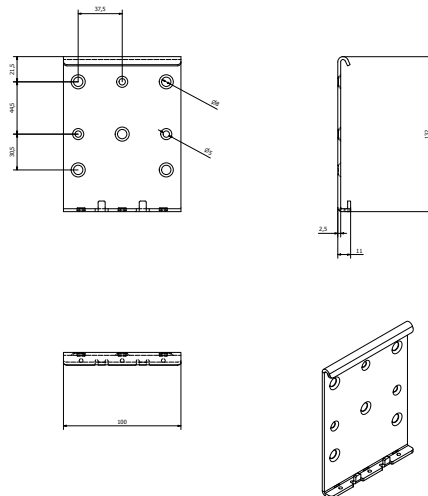


fig 3

Loke Bracket / Loke Konsol

EN: USE FASTENERS INTENDED FOR THE ACTUAL SURFACE. Try to level them up as good as possible, using spirit level or laser guide (fig 4).

Sideways spacing isn't crucial as they can slide sideways but recommended maximum distance from the ends should be no more than 30cm (fig 5)!

Insert the upper lip of the case first (fig 6), and the bottom lip second (fig 7). Tighten all six screws.

Brackets are available in both wall- & ceiling-versions.

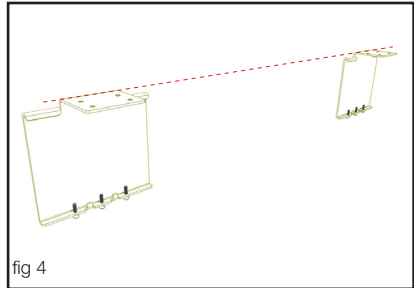


fig 4

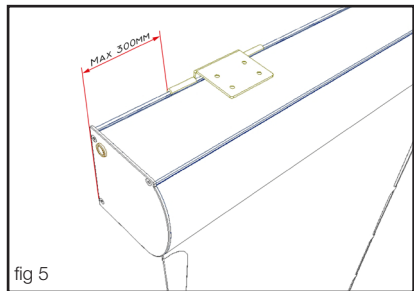


fig 5

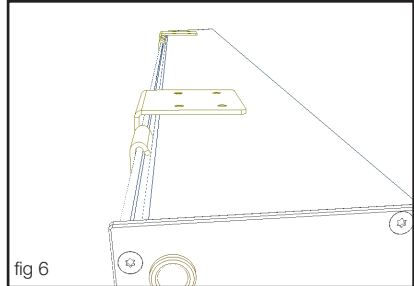


fig 6

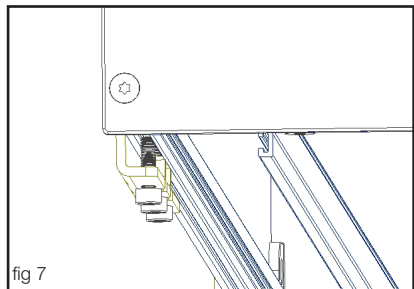


fig 7

SE: ANVÄND FÖR UNDERLAGET AVSEDD SKRUV. Försök att linjera de bägge konsolerna så horisontellt som möjligt med hjälp av vattenpass eller lasermätare (fig 4).

Exakt positionering i sidled är inte nödvändig då kassetten kan glida på konsolerna men rekommenderat maxavstånd från ändarna är 30cm (fig 5)!

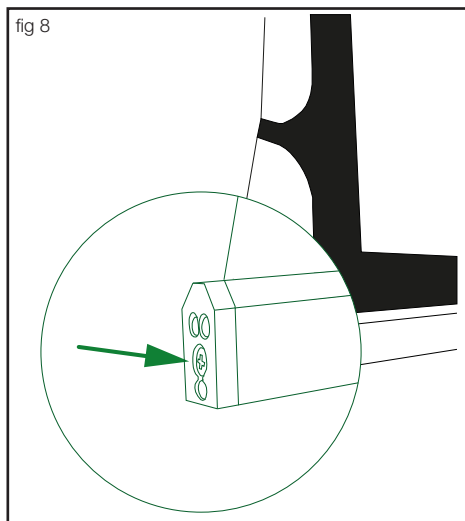
Haka i den övre läppen först (fig 6) och sedan den nedre (fig 7). Spänn åt alla sex skruvarna.

Konsolerna finns i både vägg- & tak-version.

Tensioning (TabTension only) / Trådspänning (endast TabTension)

EN: To keep the surface flat you may need to adjust the tensioning as the surface will change with time and temperature. This is done with the tensioning screw marked in fig 8. It is adjustable with 1/6 turn increments. Only adjust it in a single increment at a time!

1. Carefully lift the bottom bar with a firm grip
2. Press the screw in 2-3mm to unlock it and turn it clockwise to increase the tension, anti-clockwise to decrease it
3. Let the screw come out and lock again
4. Leave the screen to hang and set for a minute
5. Repeat procedure if necessary



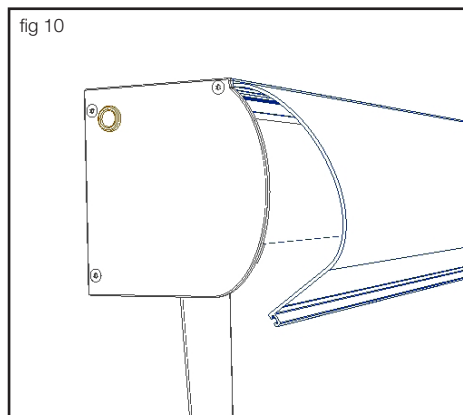
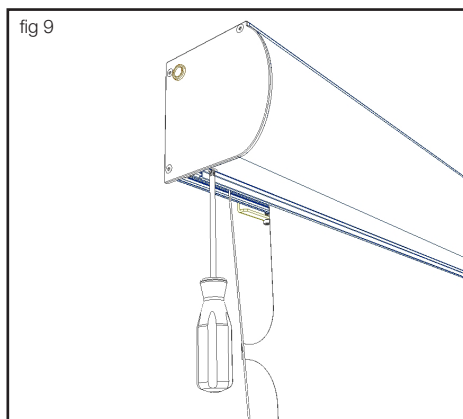
SE: För att bibehålla ytan slät kan trådarnas spänning behöva justeras emellanåt. Detta beror på att dukmaterialet ändras med tid och temperatur. Justeringen görs med skruven som markerats i fig 8. Tråden kan justeras i 1/6-dels varv per steg. Justera endast med 1 steg åt gången!

1. Lyft försiktigt bottenprofilen med ett stadigt grepp
2. Tryck in skruven 2-3mm för att släppa låset och vrid skruven medsols för att spänna tråden, motsols för att släppa efter
3. Släpp ut skruven så att den hakar i sitt lås igen
4. Låt duken hänga och "sätta sig" några minuter
5. Repetera om nödvändigt

How to open case / Öppna kassetten

EN: The front lid can be removed while the screen remains installed on the wall. To open the case remove the screws shown in fig 9 on both ends. Lift and remove the lid (fig 10).

SE: Täcklocket kan tas bort medan duken fortfarande är installerad på väggen. Lossa skruvarna som visas i fig 9 på båda sidor. Lyft och ta haka loss locket (fig 10).



Conformity of regulations

Draper Europe AB manufactures AV equipment within the brand Euroscreen®. These products are controlled and certified by the below listed regulations.

REACH

Registration, evaluation, authorisation and limitation of chemicals. Regulation (EC) No 1907/2006 of the European Parliament and of the European Council concerning the Registration, Evaluation, Authorisation and Restriction of Chemicals (REACH).

All screen surfaces of Euroscreen® projection screens are approved by the REACH regulation.



ECHA

European Chemicals Agency (ECHA) gathers information on the properties of manufacturers and importers chemical substances, which will allow their safe handling, and to register the information in a central database.

Euroscreen® projection screens are printed with colours containing the following components:

CAS 1333-86-4, CAS 112-36-7, CAS 96-48-0, CAS 143-24-8, CAS 1559-34-8, CAS 2687-91-4,

CAS 111-90-0, CAS 34590-94-8 and CAS 126-86-3. These are all approved by ECHA.



RoHS

Restriction of Hazardous Substances Directive (RoHS) directive restricts the use of six hazardous materials in the manufacture of various types of electronic and electrical equipment.

All electrical devices used in Euroscreen® products are RoHS certified.



WEEE

The Waste Electrical and Electronic Equipment Directive (WEEE Directive) is the European Community directive 2002/96/EC on waste electrical and electronic equipment (WEEE) which, together with the RoHS Directive 2002/95/EC, setting collection, recycling and recovery targets for all types of electrical goods.

Applicable Euroscreen® products are labeled with the WEEE symbol.



FR2000

FR2000 is an integrated management system for quality, environment, competence enhancement, health and safety. This system is derived from: ISO 9001, ISO 14001, SS 62 40 70, the Swedish work environment authority regarding systematic environmental progress, and the Swedish rescue services agency regarding systematic fire safety, SRVFS 2004:3.

Draper Europe AB is certified by FR2000 since 2010.



FTI

Producers responsibility for recycling of packaging material is regulated by SFS 2006:1273. The recycling process of packaging material is handled for its members by a central organization called FTI.

Draper Europe AB is a member of FTI.



Declaration of Conformity

Draper Europe confirms that Euroscreen® Electric meets Low Voltage Directive 2006/95/EG & EMC Directive 2004/108/EC. This is a EN61140 Class I product with internal separation instead of protective conductor (EN61140 7.2.2 Note 2).

Euroscreens® are CE-approved.



PATENT PENDING

Draper Europe AB / Västervälvägen 6 / 302 50 Halmstad
Tel: 035-14 42 90 / Fax: 035-14 42 91



970206